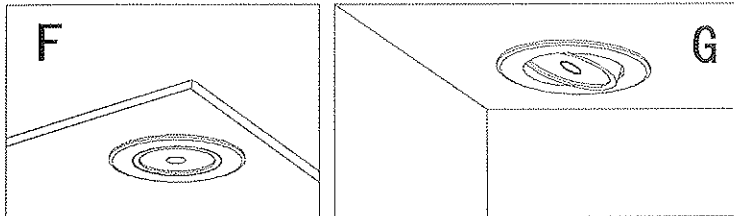
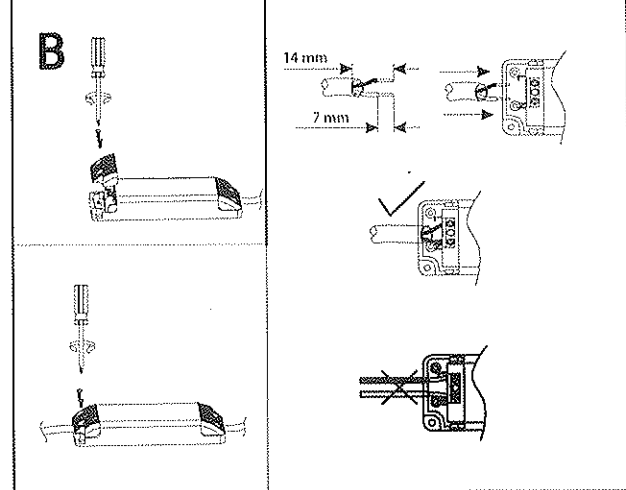
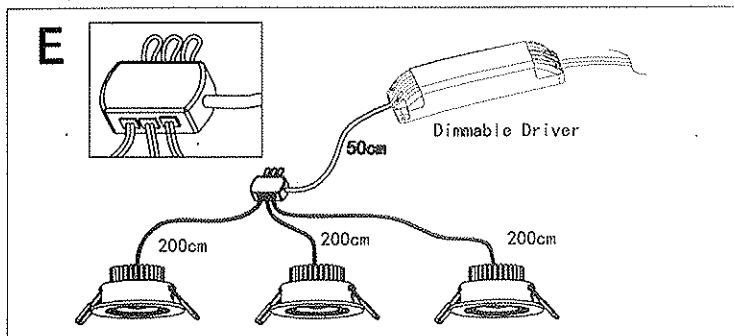
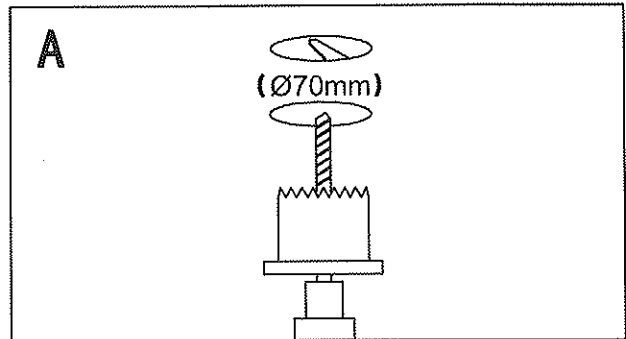
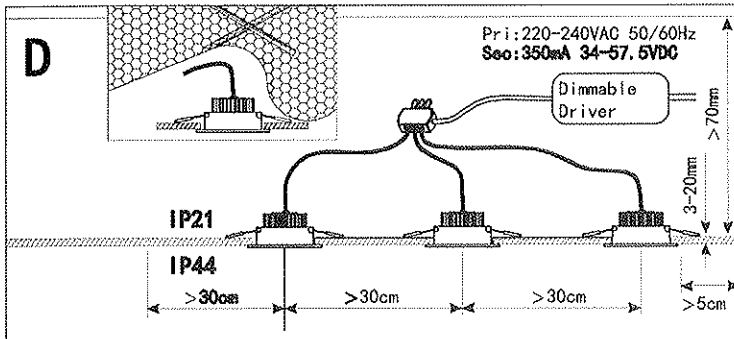
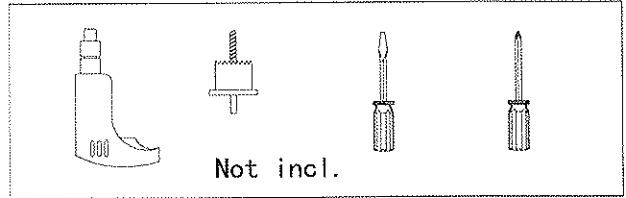
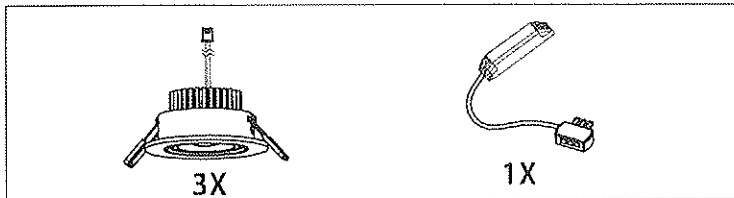
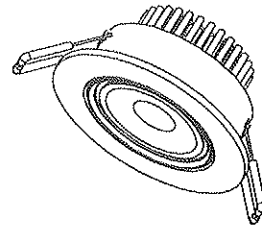




Markslöjd AB Gränevägen 5 S-511 62 Skene Sweden

106210,106211 HERA
www.markslojd.com



Note:
1. Its standard set including 3pcs spots only, but it can be use 3-6pcs spots as a system.
2. If use less than 6pcs spots then the empty ports of the junction box should be insert with circuit breaker.

